



.....  
***Barracuda 7200.7 Serial ATA Family***  
.....

***ST3160023AS, ST3160021AS,***  
.....

***ST3120026AS, ST3120022AS,***  
.....

***ST380013AS, ST380011AS, and***  
.....

***ST340014AS***  
.....

***Product Manual, Volume 1***  
.....



.....  
***Barracuda 7200.7 Serial ATA Family***  
.....

***ST3160023AS, ST3160021AS,***  
.....

***ST3120026AS, ST3120022AS,***  
.....

***ST380013AS, ST380011AS, and***  
.....

***ST340014AS***  
.....

***Product Manual, Volume 1***  
.....

©2001- 2003 Seagate Technology LLC All rights reserved  
Publication number: 100270024, Rev. C  
May 2003

Seagate, Seagate Technology, and the Seagate logo are registered trademarks or trademarks of Seagate Technology LLC. Barracuda, SeaFAX, SeaFONE, SeaShell, and SeaTDD are registered trademarks or trademarks of Seagate Technology LLC. Other product names are registered trademarks or trademarks of their owners.

Seagate reserves the right to change, without notice, product offerings or specifications. No part of this publication may be reproduced in any form without written permission of Seagate Technology LLC.

## Revision status summary sheet

<b>Revision</b>	<b>Date</b>	<b>Writer/PLM</b>	<b>Sheets Affected</b>
Rev. A	02/27/03	L. Newman/E. Wu	All.
Rev. B	04/10/03	L. Newman/E. Wu	Pages 5, 7, 10, 13, and 14.
Rev. C	05/09/03	L. Newman/C. Ryan	Pages 1, 5, 10, 25, 37-39, 41, and 43-47.



# Contents

<b>1.0</b>	<b>Introduction</b> . . . . .	<b>1</b>
1.1	About the Serial ATA interface. . . . .	2
<b>2.0</b>	<b>Drive specifications</b> . . . . .	<b>5</b>
2.1	Specification summary table . . . . .	5
2.2	Formatted capacity . . . . .	9
2.2.1	LBA mode. . . . .	9
2.3	Default logical geometry . . . . .	9
2.4	Physical organization. . . . .	10
2.5	Recording and interface technology . . . . .	10
2.6	Physical characteristics . . . . .	10
2.7	Seek time. . . . .	11
2.8	Start/stop times . . . . .	11
2.9	Power specifications . . . . .	11
2.9.1	Power consumption . . . . .	12
2.9.2	Deferred spinup . . . . .	15
2.9.3	Conducted noise . . . . .	15
2.9.4	Voltage tolerance . . . . .	16
2.9.5	Power-management modes . . . . .	16
2.10	Environmental specifications . . . . .	17
2.10.1	Ambient temperature . . . . .	17
2.10.2	Temperature gradient. . . . .	18
2.10.3	Humidity . . . . .	18
2.10.4	Altitude . . . . .	18
2.10.5	Shock . . . . .	18
2.10.6	Vibration . . . . .	19
2.11	Acoustics . . . . .	20
2.12	Electromagnetic immunity . . . . .	21
2.13	Reliability . . . . .	21
2.14	Agency certification . . . . .	22
2.14.1	Safety certification . . . . .	22
2.14.2	Electromagnetic compatibility. . . . .	22
2.14.3	FCC verification . . . . .	23
<b>3.0</b>	<b>Configuring and mounting the drive</b> . . . . .	<b>25</b>
3.1	Handling and static-discharge precautions . . . . .	25
3.2	Configuring the drive . . . . .	26
3.3	Serial ATA cables and connectors. . . . .	26
3.4	Drive mounting. . . . .	27

- 4.0 Serial ATA (SATA) interface . . . . . 29**
  - 4.1 Hot-Plug compatibility . . . . . 29
  - 4.2 Serial ATA device plug connector pin definitions . . . . . 30
  - 4.3 Supported ATA commands . . . . . 32
    - 4.3.1 Identify Device command . . . . . 35
    - 4.3.2 Set Features command . . . . . 41
    - 4.3.3 S.M.A.R.T. commands . . . . . 42
- 5.0 Seagate Technology support services . . . . . 43**



## List of Figures

Figure 1.	Barracuda 7200.7 Serial ATA disc drive . . . . .	2
Figure 2.	Typical 5V startup and operation current profile . . . . .	14
Figure 3.	Typical 12V startup and operation current profile . . . . .	14
Figure 4.	Serial ATA connectors . . . . .	26
Figure 5.	Attaching SATA cabling . . . . .	27
Figure 6.	Mounting dimensions—top, side and end view . . . . .	28



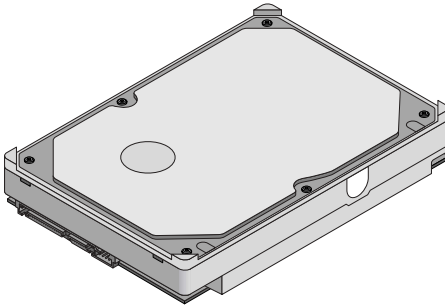
## 1.0 Introduction

This manual describes the functional, mechanical and interface specifications for the following Seagate Barracuda® 7200.7 Serial ATA model drives:

- ST3160023AS
- ST3160021AS
- ST3120026AS
- ST3120022AS
- ST380013AS
- ST380011AS
- ST340014AS

These drives provide the following key features:

- 7,200 RPM spindle speed
- 8 Mbyte buffer (ST3160023AS, ST3120026AS, and ST380013AS models)
- 2 Mbyte buffer (ST3160021AS, ST3120022AS, ST380011AS, and ST340014AS models)
- High instantaneous (burst) data-transfer rates (up to 150 Mbytes per second).
- Giant magnetoresistive (GMR) recording heads and EPRML technology, provide the drives with increased areal density.
- State-of-the-art cache and on-the-fly error-correction algorithms.
- Full-track multiple-sector transfer capability without local processor intervention.
- Quiet operation.
- 350 Gs nonoperating shock.
- SeaTools diagnostic software performs a drive self-test that eliminates unnecessary drive returns.
- The 3D Defense System™, which includes Drive Defense, Data Defense and Diagnostic Defense, offers the industry's most comprehensive protection for disc drives.
- Support for S.M.A.R.T. drive monitoring and reporting.
- Support for Read Multiple and Write Multiple commands.



**Figure 1. Barracuda 7200.7 Serial ATA disc drive**

## 1.1 About the Serial ATA interface

The Serial ATA interface provides several advantages over the traditional (parallel) ATA interface. The primary advantages include:

- Easy installation and configuration with true plug-and-play connectivity. It is not necessary to set any jumpers or other configuration options.
- Thinner and more flexible cabling for improved enclosure airflow and ease of installation.
- Scalability to higher performance levels.

In addition, Serial ATA makes the transition from parallel ATA easy by providing legacy software support. Serial ATA was designed to allow you to install a Serial ATA host adapter and Serial ATA disc drive in your current system and expect all of your existing applications to work as normal.

The Serial ATA interface connects each disc drive in a point-to-point configuration with the Serial ATA host adapter. There is no master/slave relationship with Serial ATA devices like there is with parallel ATA. If two drives are attached on one Serial ATA host adapter, the host operating system views the two devices as if they were both “masters” on two separate ports. This essentially means both drives behave as if they are Device 0 (master) devices.

**Note.** The host adapter may, optionally, emulate a master/slave environment to host software where two devices on separate Serial ATA ports are represented to host software as a Device 0 (master) and Device 1 (slave) accessed at the same set of host bus addresses. A host adapter that emulates a master/slave environment manages two sets of shadow registers. This is not a typical Serial ATA environment.

The Serial ATA host adapter and drive share the function of emulating parallel ATA device behavior to provide backward compatibility with existing host systems and software. The Command and Control Block registers, PIO and DMA data transfers, resets, and interrupts are all emulated.

The Serial ATA host adapter contains a set of registers that shadow the contents of the traditional device registers, referred to as the Shadow Register Block. All Serial ATA devices behave like Device 0 devices. For additional information about how Serial ATA emulates parallel ATA, refer to the “Serial ATA: High Speed Serialized AT Attachment” specification. The specification can be downloaded from <http://www.serialata.com>.



## 2.0 Drive specifications

Unless otherwise noted, all specifications are measured under ambient conditions, at 25°C, and nominal power. For convenience, the phrases *the drive* and *this drive* are used throughout this manual to indicate the ST3160023AS, ST3160021AS, ST3120026AS, ST3120022AS, ST380013AS, ST380011AS and ST340014AS models.

### 2.1 Specification summary table

The specifications listed in this table are for quick reference. For details on specification measurement or definition, see the appropriate section of this manual.

**Table 1: Drive specifications**

Drive specification	ST3160023AS ST3160021AS	ST3120026AS ST3120022AS	ST380013AS ST380011AS	ST340014AS
Formatted Gbytes (512 bytes/sector)	160	120	80	40
Guaranteed sectors	312,581,808	234,441,648	156,301,488	78,165,360
Bytes per sector	512			
Default sectors per track	63			
Default read/write heads	16			
Default cylinders	16,383			
Physical read/write heads	4	3	2	1
Discs	2	2	1	1
Recording density in BPI (bits/inch max)	595,000			
Track density TPI (tracks/inch max)	94,600			
Areal density (Mbits/inch <sup>2</sup> max)	56.3			
Spindle speed (RPM)	7,200			

Table 1: Drive specifications

Drive specification	ST3160023AS ST3160021AS	ST3120026AS ST3120022AS	ST380013AS ST380011AS	ST340014AS
Internal transfer rate (Mbits/sec max)	85.4			
Sustained transfer rate OD (Mbytes/sec)	58			
I/O data transfer rate (Mbytes/sec max)	150			
ATA data-transfer modes supported	SATA 1.0, SATA II PIO modes 0–4 Multiword DMA modes 0–2 Ultra DMA modes 0–6			
Cache buffer	8 Mbytes: ST3160023AS, ST3120026AS, ST380013AS 2 Mbytes: ST3160021AS, ST3120022AS, ST380011AS, and ST340014AS			
Height (max)	26.035 mm (1.028 inches)			
Width (max)	101.6 mm (4.000 inches)			
Length (max)	146.99 mm (5.787 inches)			
Weight (typical)	635 grams (1.4 lb)			
Average latency (msec)	4.16			
Power-on to ready (typical)	10 sec			
Standby to ready (typical)	10 sec			
Startup current (typical) 12V (peak)	2.8 amps			
Track-to-track seek time (msec typical)	<1.0 (read), <1.2 (write)			
Average seek time (msec typical)	8.5		9.0	
Average seek, read (msec typical)	8.5		8.5	



Table 1: Drive specifications

Drive specification	ST3160023AS ST3160021AS	ST3120026AS ST3120022AS	ST380013AS ST380011AS	ST340014AS
Average seek, write (msec typical)	9.5		9.5	
Seek power (typical)	13.5 watts			
Operating power (typical)	13.0 watts			
Idle mode (typical)	9.0 watts			
Standby mode (typical)	2.0 watts			
Sleep mode	2.0 watts			
Voltage tolerance (including noise)	5V ± 5% 12V ± 10%			
Ambient temperature	0° to 60°C (op.), -40° to 70°C (nonop.)			
Temperature gradient (°C per hour max)	20°C (operating) 30°C (nonoperating)			
Relative humidity	5% to 90% (operating) 5% to 95% (nonoperating)			
Relative humidity gradient	30% per hour max			
Wet bulb temperature (°C max)	30 (op.), 40 (nonop.)			
Altitude, operating	-60.96 m to 3,048 m (-200 ft to 10,000+ ft)			
Altitude, nonoperating (meters below mean sea level, max)	-60.96 m to 12,192 m (-200 ft to 40,000+ ft)			
Shock, operating (Gs max at 2 msec)	63			
Shock, nonoperating (Gs max at 2 msec)	350 Gs			
Vibration, operating	0.5 Gs (0 to peak, 22–350 Hz)			

Table 1: Drive specifications

Drive specification	ST3160023AS ST3160021AS	ST3120026AS ST3120022AS	ST380013AS ST380011AS	ST340014AS
Vibration, nonoperating	5 Gs (0 to peak, 22–350 Hz)			
Drive acoustics Sound power (bels)				
Idle*	<2.5 (typical) 2.7 (max)		<2.2 (typ) 2.4 (max)	
Quiet seek	2.8 (typical) 3.0 (max)		2.5 (typ) 2.7 (max)	
Performance seek	3.4 (typical) 3.7 (max)		3.1 (typical) 3.5 (max)	
Nonrecoverable read errors	1 per 10 <sup>14</sup> bits read			
Mean time between failures (power-on hours)	600,000			
Service life	5 Years			
Contact start-stop cycles (25°C, 40% relative humidity)	50,000			
Supports Hotplug operation per SATA II specification	Yes			

\*During periods of drive idle, some offline activity may occur according to the S.M.A.R.T. specification, which may increase acoustic and power to operational levels.

## 2.2 Formatted capacity

Model	Formatted capacity	Guaranteed sectors	Bytes per sector
ST3160023AS ST3160021AS	160 Gbytes	312,581,808	512
ST3120026AS ST3120022AS	120 Gbytes	234,441,648	512
ST380013AS ST380011AS	80 Gbytes	156,301,488	512
ST340014AS	40 Gbytes	78,165,360	512

### 2.2.1 LBA mode

When addressing these drives in LBA mode, all blocks (sectors) are consecutively numbered from 0 to  $n-1$ , where  $n$  is the number of guaranteed sectors as defined above.

See Section 4.3.1, "Identify Device command" (words 60-61 and 100-103) for additional information about 48-bit addressing support of drives with capacities over 137 Gbytes.

## 2.3 Default logical geometry

Cylinders	Read/write heads	Sectors per track
16,383	16	63

### LBA mode

When addressing these drives in LBA mode, all blocks (sectors) are consecutively numbered from 0 to  $n-1$ , where  $n$  is the number of guaranteed sectors as defined above.

## 2.4 Physical organization

Drive model	Read/write heads	Number of discs
ST3160023AS and ST3160021AS	4	2
ST3120026AS and ST3120022AS	3	2
ST380013AS and ST380011AS	2	1
ST340014AS	1	1

## 2.5 Recording and interface technology

Interface	Serial ATA (SATA)
Recording method	16/17 EPRML
Recording density BPI (bits/inch max)	595,000
Track density TPI (tracks/inch max)	94,600
Areal density (Mbits/inch <sup>2</sup> max)	56.3
Spindle speed (RPM) ( $\pm$ 0.2%)	7,200
Maximum Internal transfer rate (Mbytes/sec)	85.4
Sustained transfer rate OD (Mbytes/sec max)	58
I/O data-transfer rate (Mbytes/sec max)	150 (SATA 1.0)
Interleave	1:1
Cache buffer	
ST3160023AS, ST3120026AS, ST380013AS	8 Mbytes
ST3160021AS, ST3120022AS, ST380011AS, and ST340014AS	2 Mbytes

## 2.6 Physical characteristics

Drive specification	
Maximum height(mm) (inches)	26.035 1.028
Maximum width(mm) (inches)	101.6 4.00
Maximum length(mm) (inches)	146.99 5.787
Typical weight(grams) (pounds)	635 1.4

## 2.7 Seek time

Seek measurements are taken with nominal power at 25°C ambient temperature. All times are measured using drive diagnostics. The specifications in the table below are defined as follows:

- Track-to-track seek time is an average of all possible single-track seeks in both directions.
- Average seek time is a true statistical random average of at least 5,000 measurements of seeks between random tracks, less overhead.

**Table 2: Typical seek times**

Typical seek times (msec)	Read	Write
Track-to-track	<1.0	<1.2
Average	8.5	9.5
Average latency:	4.16	4.16

**Note.** These drives are designed to consistently meet the seek times represented in this manual. Physical seeks, regardless of mode (such as track-to-track and average), are expected to meet the noted values. However, due to the manner in which these drives are formatted, benchmark tests that include command overhead or measure logical seeks may produce results that vary from these specifications.

## 2.8 Start/stop times

Power-on to Ready (sec)	10 (max)
Standby to Ready (sec)	10 (max)
Ready to spindle stop (sec)	20 (max)

## 2.9 Power specifications

The drive receives DC power (+5V or +12V) through a native SATA power connector. See Figure 5 on page 27.

### 2.9.1 Power consumption

Power requirements for the drives are listed in the table on page 9. Typical power measurements are based on an average of drives tested, under nominal conditions, using 5.0V and 12.0V input voltage at 25°C ambient temperature.

- **Spinup power**

Spinup power is measured from the time of power-on to the time that the drive spindle reaches operating speed.

- **Seek mode**

During seek mode, the read/write actuator arm moves toward a specific position on the disc surface and does not execute a read or write operation. Servo electronics are active. Seek mode power represents the worst-case power consumption, using only random seeks with read or write latency time. This mode is not typical and is provided for worst-case information.

- **Read/write power and current**

Read/write power is measured with the heads on track, based on a 16-sector write followed by a 32-msec delay, then a 16-sector read followed by a 32-msec delay.

- **Operating power and current**

Operating power is measured using 40 percent random seeks, 40 percent read/write mode (1 write for each 10 reads) and 20 percent drive idle mode.

- **Idle mode power**

Idle mode power is measured with the drive up to speed, with servo electronics active and with the heads in a random track location.

- **Standby mode**

During Standby mode, the drive accepts commands, but the drive is not spinning, and the servo and read/write electronics are in power-down mode.

**Table 3: DC power requirements**

<b>Power dissipation (watts, ST3160023AS)</b>	<b>Average (watts, 25° C)</b>	<b>5V typ amps</b>	<b>12V typ amps</b>
Spinup	—	—	2.8 (peak)
Idle	7.5	0.482	0.424
Idle* (with offline activity)	9.0	0.587	0.530
Operating 40% r/w. 40% seek, 20% inop.	13.0	0.638	0.739
Seeking	13.5	0.412	0.870
Standby	2.0	0.367	0.014
Sleep	2.0	0.367	0.014

\*During periods of drive idle, some offline activity may occur according to the S.M.A.R.T. specification, which may increase acoustic and power to operational levels.

### 2.9.1.1 Typical current profiles

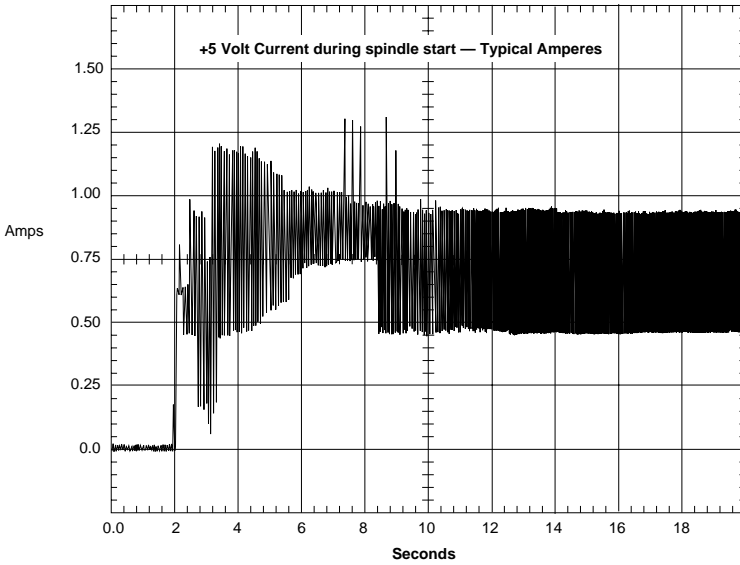


Figure 2. Typical 5V startup and operation current profile

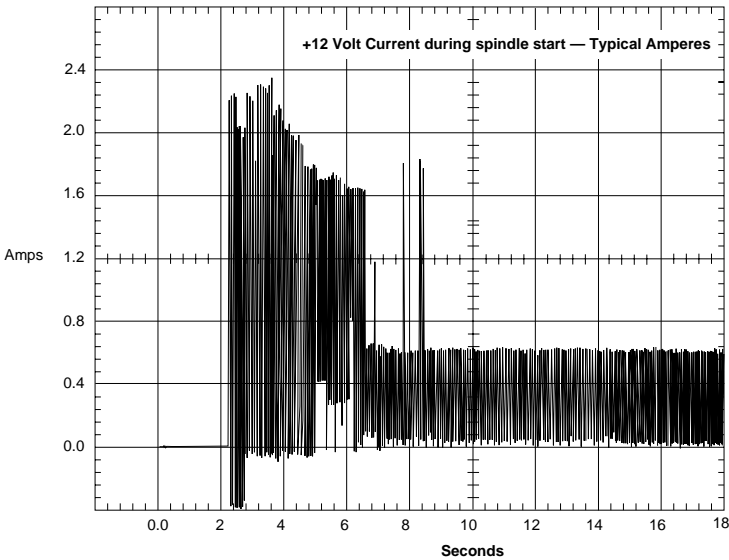


Figure 3. Typical 12V startup and operation current profile



### 2.9.2 Deferred spinup

Barracuda 7200.7 Serial ATA drives provide a deferred spinup feature which storage subsystem controllers can use to sequence disc drive initialization. This is beneficial to systems which include multiple Serial ATA hard disc drives because it allows subsystem controllers to stagger the spinup of each drive to accommodate available power supply current. This feature does not impact time-to-ready in typical desktop systems.

To accommodate the deferred spinup of multiple disc drives in an enclosure, Barracuda 7200.7 Serial ATA disc drives will spin up only after power is applied to the drive and after successful PHY (Physical layer) initialization. PHY initialization occurs after the PHY enters the DP7:DR\_Ready state. This state is reached after a successful exchange of Out-Of-Band (OOB) signals with a functional host-side Serial ATA port. In desktop systems, SATA transceivers should initialize OOB as soon as power comes ready to guarantee the drive spins up quickly. Seagate disc drives will not spin up without an operational host-side Serial ATA transceiver.

#### Additional details

Upon system power up, PHY communication is initiated with a COMRESET signal, which is generated by the host-side transceiver. COMRESET is followed by a COMINIT signal generated by the disc drive transceiver. COMRESET and COMINIT are followed by an exchange of COMWAKE signals and Align primitives. The disc drive will spin up after the successful exchange of Align primitives cause the PHY to come ready.

For more details, refer to:

- Section 6.8 of the Serial ATA 1.0 High-Speed Serialized AT Attachment specification
- Section 6.2 of the Serial ATA II: Extensions to Serial ATA 1.0 specification
- SATA 1.0 design guides

**Note.** These specifications and guides are available on the Serial ATA web site ([www.serialata.org](http://www.serialata.org)).

### 2.9.3 Conducted noise

Input noise ripple is measured at the host system power supply across an equivalent 80-ohm resistive load on the +12 volt line or an equivalent 15-ohm resistive load on the +5 volt line.

- Using 12-volt power, the drive is expected to operate with a maximum of 120 mV peak-to-peak square-wave injected noise at up to 10 MHz.

- Using 5-volt power, the drive is expected to operate with a maximum of 100 mV peak-to-peak square-wave injected noise at up to 10 MHz.

**Note.** Equivalent resistance is calculated by dividing the nominal voltage by the typical RMS read/write current.

#### 2.9.4 Voltage tolerance

Voltage tolerance (including noise):

5V  $\pm$  5%

12V  $\pm$  10%

#### 2.9.5 Power-management modes

The drive provides programmable power management to provide greater energy efficiency. In most systems, you can control power management through the system setup program. The drive features the following power-management modes:

Power modes	Heads	Spindle	Buffer
Active	Tracking	Rotating	Enabled
Idle	Tracking	Rotating	Enabled
Standby	Parked	Stopped	Enabled
Sleep	Parked	Stopped	Disabled

- Active mode**

The drive is in Active mode during the read/write and seek operations.

- Idle mode**

The buffer remains enabled, and the drive accepts all commands and returns to Active mode any time disc access is necessary.

- Standby mode**

The drive enters Standby mode when the host sends a Standby Immediate command. If the host has set the standby timer, the drive can also enter Standby mode automatically after the drive has been inactive for a specifiable length of time. The standby timer delay is established using a Standby or Idle command. In Standby mode, the drive buffer is enabled, the heads are parked and the spindle is at rest. The drive accepts all commands and returns to Active mode any time disc access is necessary.

- **Sleep mode**

The drive enters Sleep mode after receiving a Sleep command from the host. In Sleep mode, the drive buffer is disabled, the heads are parked and the spindle is at rest. The drive leaves Sleep mode after it receives a Hard Reset or Soft Reset from the host. After receiving a reset, the drive exits Sleep mode and enters Standby mode with all current translation parameters intact.

- **Idle and Standby timers**

Each time the drive performs an Active function (read, write or seek), the standby timer is reinitialized and begins counting down from its specified delay times to zero. If the standby timer reaches zero before any drive activity is required, the drive makes a transition to Standby mode. In both Idle and Standby mode, the drive accepts all commands and returns to Active mode when disc access is necessary.

## **2.10 Environmental specifications**

### **2.10.1 Ambient temperature**

Ambient temperature is defined as the temperature of the environment immediately surrounding the drive. Actual drive case temperature should not exceed 69°C (156°F) within the operating ambient conditions. Recommended measurement locations are shown in Figure 3 on page 23.

Above 1,000 feet (305 meters), the maximum temperature is derated linearly to 112°F (44°C) at 10,000 feet (3,048 meters).

Operating	0° to 60°C (32° to 140°F)
Nonoperating	-40° to 70°C (-40° to 158°F)

## 2.10.2 Temperature gradient

Operating	20°C per hour (68°F per hour max), without condensation
Nonoperating	30°C per hour (86°F per hour max)

## 2.10.3 Humidity

### 2.10.3.1 Relative humidity

Operating	5% to 90% noncondensing (30% per hour max)
Nonoperating	5% to 95% noncondensing (30% per hour max)

### 2.10.3.2 Wet bulb temperature

Operating	30°C (86°F max)
Nonoperating	40.0°C (104°F max)

## 2.10.4 Altitude

Operating	–60.96 m to 3,048 m (–200 ft to 10,000+ ft)
Nonoperating	–60.96 m to 12,192 m (–200 ft to 40,000+ ft)

## 2.10.5 Shock

All shock specifications assume that the drive is mounted securely with the input shock applied at the drive mounting screws. Shock may be applied in the X, Y or Z axis.

### 2.10.5.1 Operating shock

These drives comply with the performance levels specified in this document when subjected to a maximum operating shock of 63 Gs based on half-sine shock pulses of 2 msec. Shocks should not be repeated more than two times per second.

### 2.10.5.2 Nonoperating shock

The nonoperating shock level that the drive can experience without incurring physical damage or degradation in performance when subsequently put into operation is 350 Gs based on a nonrepetitive half-sine shock pulse of 2 msec duration.

## 2.10.6 Vibration

All vibration specifications assume that the drive is mounted securely with the input vibration applied at the drive mounting screws. Vibration may be applied in the X, Y or Z axis.

### 2.10.6.1 Operating vibration

The maximum vibration levels that the drive may experience while meeting the performance standards specified in this document are specified below.

5–22 Hz                    0.25-inch displacement (zero to peak)

22–350 Hz                0.5 Gs acceleration (zero to peak)

### 2.10.6.2 Nonoperating vibration

The maximum nonoperating vibration levels that the drive may experience without incurring physical damage or degradation in performance when subsequently put into operation are specified below.

5–22 Hz                    1.0-inch displacement (zero to peak)

22–350 Hz                5.0 Gs acceleration (zero to peak)

## 2.11 Acoustics

Drive acoustics are measured as overall A-weighted acoustic sound power levels (no pure tones). All measurements are consistent with ISO document 7779. Sound power measurements are taken under essentially free-field conditions over a reflecting plane. For all tests, the drive is oriented with the cover facing upward.

For seek mode tests, the drive is placed in seek mode only. The number of seeks per second is defined by the following equation:

$$(\text{Number of seeks per second} = 0.4 / (\text{average latency} + \text{average access time}))$$

**Table 4: Fluid Dynamic Bearing (FDB) motor acoustics**

Models	Acoustic mode		
	Idle*	Quiet seek	Performance seek
ST3160023AS ST3160021AS ST3120026AS ST3120022AS ST380011AS	<2.5 bels (typ) 2.7 bels (max)	2.8 bels (typ) 3.0 bels (max)	3.4 bels (typ) 3.7 bels (max)
ST340014AS	<2.2 bels (typ) 2.4 bels (max)	2.5 bels (typ) 2.7 bels (max)	3.1 bels (typ) 3.5 bels (max)

**Note.** During periods of drive idle, some offline activity may occur according to the S.M.A.R.T. specification, which may increase acoustic and power to operational levels.

## 2.12 Electromagnetic immunity

When properly installed in a representative host system, the drive operates without errors or degradation in performance when subjected to the radio frequency (RF) environments defined in the following table:

**Table 5: Radio frequency environments**

Test	Description	Performance level	Reference standard
Electrostatic discharge	Contact, HCP, VCP: $\pm 4$ kV; Air: $\pm 8$ kV	B	EN 61000-4-2: 95
Radiated RF immunity	80 to 1,000 MHz, 3 V/m, 80% AM with 1 kHz sine 900 MHz, 3 V/m, 50% pulse modulation @ 200 Hz	A	EN 61000-4-3: 96 ENV 50204: 95
Electrical fast transient	$\pm 1$ kV on AC mains, $\pm 0.5$ kV on external I/O	B	EN 61000-4-4: 95
Surge immunity	$\pm 1$ kV differential, $\pm 2$ kV common, AC mains	B	EN 61000-4-5: 95
Conducted RF immunity	150 kHz to 80 MHz, 3 Vrms, 80% AM with 1 kHz sine	A	EN 61000-4-6: 97
Voltage dips, interrupts	0% open, 5 seconds 0% short, 5 seconds 40%, 0.10 seconds 70%, 0.01 seconds	C C C B	EN 61000-4-11: 94

## 2.13 Reliability

Nonrecoverable read errors	1 per $10^{14}$ bits read, max
Mean time between failures (MTBF)	600,000 power-on hours (nominal power, 25°C ambient temperature)
Contact start-stop cycles	50,000 cycles (at nominal voltage and temperature, with 60 cycles per hour and a 50% duty cycle)
Service Life	5 Years
Preventive maintenance	None required

## **2.14 Agency certification**

### **2.14.1 Safety certification**

The drives are recognized in accordance with UL 1950 and CSA C22.2 (950) and meet all applicable sections of IEC950 and EN 60950 as tested by TUV North America.

### **2.14.2 Electromagnetic compatibility**

Hard drives that display the CE mark comply with the European Union (EU) requirements specified in the Electromagnetic Compatibility Directive (89/336/EEC). Testing is performed to the levels specified by the product standards for Information Technology Equipment (ITE). Emission levels are defined by EN 55022, Class B and the immunity levels are defined by EN 55024.

Seagate uses an independent laboratory to confirm compliance with the EC directives specified in the previous paragraph. Drives are tested in representative end-user systems. Although CE-marked Seagate drives comply with the directives when used in the test systems, we cannot guarantee that all systems will comply with the directives. The drive is designed for operation inside a properly designed enclosure, with properly shielded I/O cable (if necessary) and terminators on all unused I/O ports. Computer manufacturers and system integrators should confirm EMC compliance and provide CE marking for their products.



## Korean RRL

If these drives have the Korea Ministry of Information and Communication (MIC) logo, they comply with paragraph 1 of Article 11 of the Electromagnetic Compatibility control Regulation and meet the Electromagnetic Compatibility (EMC) Framework requirements of the Radio Research Laboratory (RRL) Ministry of Information and Communication Republic of Korea.

These drives have been tested and comply with the Electromagnetic Interference/Electromagnetic Susceptibility (EMI/EMS) for Class B products. Drives are tested in a representative, end-user system by a Korean-recognized lab.

- EUT name (model numbers):

ST3160023AS  
 ST3160021AS  
 ST3120026AS  
 ST3120022AS  
 ST380013AS  
 ST380011AS  
 ST340014AS

- Certificate numbers:
 

ST3160023AS	E-H011-03-0784
ST3160021AS	E-H011-03-0783
ST3120026AS	E-H011-03-0788
ST3120022AS	E-H011-03-0785
ST380013AS	E-H011-03-0787
ST380011AS	E-H011-03-0781
ST340014AS	E-H011-03-0782

- Trade name or applicant: Seagate Technology
- Manufacturing date: February 2003
- Manufacturer/nationality: Singapore and China

## Australian C-Tick (N176)

If these models have the C-Tick marking, they comply with the Australia/New Zealand Standard AS/NZS3548 1995 and meet the Electromagnetic Compatibility (EMC) Framework requirements of the Australian Communication Authority (ACA).

### 2.14.3 FCC verification

These drives are intended to be contained solely within a personal computer or similar enclosure (not attached as an external device). As such, each drive is considered to be a subassembly even when it is individually marketed to the customer. As a subassembly, no Federal Communications Commission verification or certification of the device is required.

Seagate Technology LLC has tested this device in enclosures as described above to ensure that the total assembly (enclosure, disc drive, motherboard, power supply, etc.) does comply with the limits for a Class B computing device, pursuant to Subpart J, Part 15 of the FCC rules. Operation with non-certified assemblies is likely to result in interference to radio and television reception.

**Radio and television interference.** This equipment generates and uses radio frequency energy and if not installed and used in strict accordance with the manufacturer's instructions, may cause interference to radio and television reception.

This equipment is designed to provide reasonable protection against such interference in a residential installation. However, there is no guarantee that interference will not occur in a particular installation. If this equipment does cause interference to radio or television, which can be determined by turning the equipment on and off, you are encouraged to try one or more of the following corrective measures:

- Reorient the receiving antenna.
- Move the device to one side or the other of the radio or TV.
- Move the device farther away from the radio or TV.
- Plug the computer into a different outlet so that the receiver and computer are on different branch outlets.

If necessary, you should consult your dealer or an experienced radio/television technician for additional suggestions. You may find helpful the following booklet prepared by the Federal Communications Commission: *How to Identify and Resolve Radio-Television Interference Problems*. This booklet is available from the Superintendent of Documents, U.S. Government Printing Office, Washington, DC 20402. Refer to publication number 004-000-00345-4.

## 3.0 Configuring and mounting the drive

This section contains the specifications and instructions for configuring and mounting the drive.

### 3.1 Handling and static-discharge precautions

After unpacking, and before installation, the drive may be exposed to potential handling and electrostatic discharge (ESD) hazards. Observe the following standard handling and static-discharge precautions:

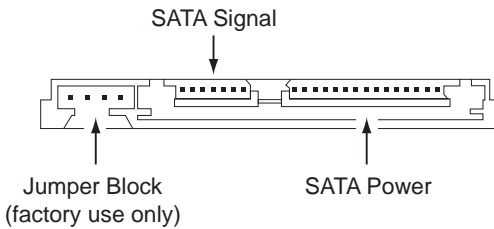
#### Caution:

- The SeaShell™ replaces electrostatic discharge (ESD) bags. The SeaShell package is a shock-ribbed, transparent clamshell enclosure that limits a drive's exposure to ESD and also protects against external shocks and stresses. The design permits attaching cables, software loading and label/barcode scanning without removing the drive from the SeaShell. This minimizes handling damage. Keep the drive in the SeaShell package until you are ready for installation.
- Before handling the drive, put on a grounded wrist strap, or ground yourself frequently by touching the metal chassis of a computer that is plugged into a grounded outlet. Wear a grounded wrist strap throughout the entire installation procedure.
- Handle the drive by its edges or frame *only*.
- The drive is extremely fragile—handle it with care. Do not press down on the drive top cover.
- Always rest the drive on a padded, antistatic surface until you mount it in the computer.
- Do not touch the connector pins or the printed circuit board.
- Do not remove the factory-installed labels from the drive or cover them with additional labels. Removal voids the warranty. Some factory-installed labels contain information needed to service the drive. Other labels are used to seal out dirt and contamination.

### 3.2 Configuring the drive

Each drive on the Serial ATA interface connects in a point-to-point configuration with the Serial ATA host adapter. There is no master/slave relationship because each drive is considered a master in a point-to-point relationships. If two drives are attached on one Serial ATA host adapter, the host operating system views the two devices as if they were both “masters” on two separate ports. This means both drives behave as if they are Device 0 (master) devices.

Serial ATA drives are designed for easy installation with no jumpers, terminators, or other settings. It is not necessary to set any jumpers on this drive for proper operation. The jumper block adjacent to the signal connector is for factory use only.



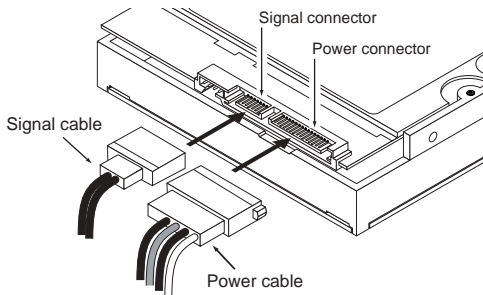
**Figure 4. Serial ATA connectors**

### 3.3 Serial ATA cables and connectors

The Serial ATA interface cable consists of four conductors in two differential pairs, plus three ground connections. The cable size may be 30 to 26 AWG with a maximum length of one meter (39.37 inches). See Table 6 for connector pin definitions. Either end of the SATA signal cable can be attached to the drive or host.

For direct backplane connection, the drive connectors are inserted directly into the host receptacle. The drive and the host receptacle incorporate features that enable the direct connection to be hot pluggable and blind mateable.

For installations which require cables, you can connect the drive as illustrated in Figure 5.



**Figure 5. Attaching SATA cabling**

Each cable is keyed to ensure correct orientation.

### 3.4 Drive mounting

You can mount the drive in any orientation using four screws in the side-mounting holes or four screws in the bottom-mounting holes. See Figure 6 on page 28 for drive mounting dimensions. Follow these important mounting precautions when mounting the drive:

- Allow a minimum clearance of 0.030 inches (0.76 mm) around the entire perimeter of the drive for cooling.
- Use only 6-32 UNC mounting screws.
- The screws should be inserted no more than 0.200 inch (5.08 mm) into the bottom mounting holes and no more than 0.14 inch (3.55 mm) into the side mounting holes.
- Do not overtighten the mounting screws (maximum torque: 6 inch-lb).

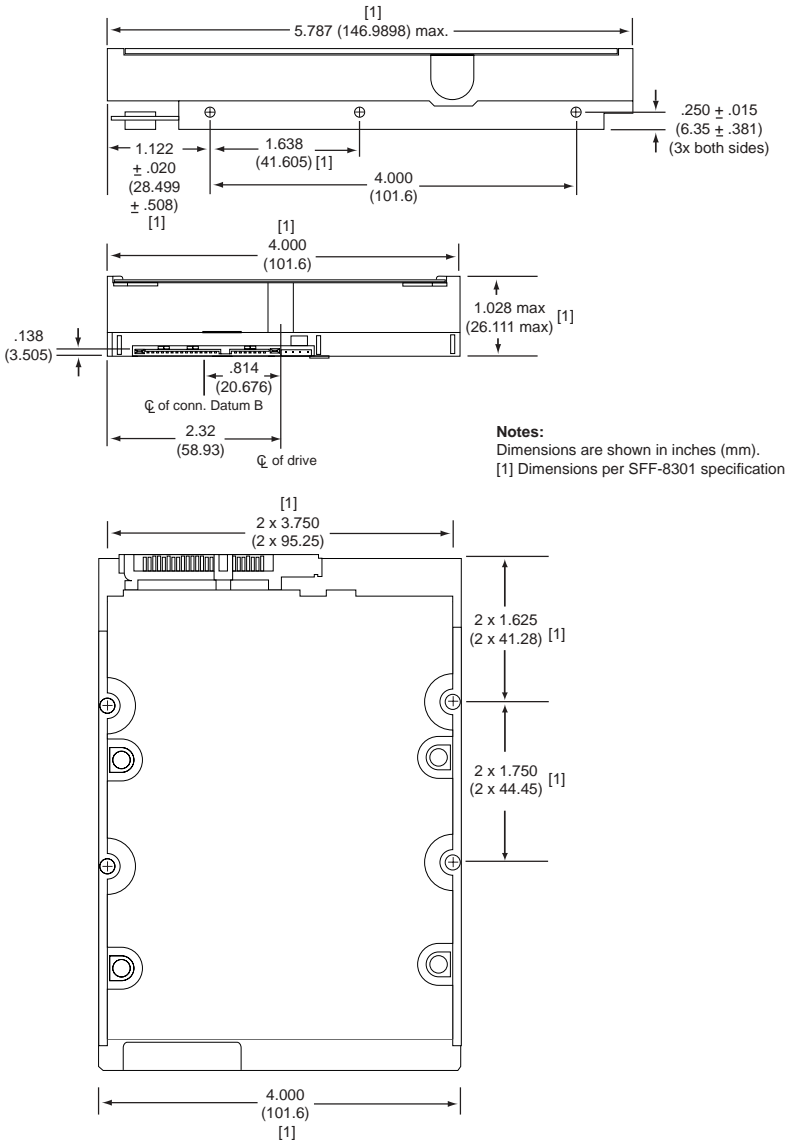


Figure 6. Mounting dimensions—top, side and end view

## **4.0 Serial ATA (SATA) interface**

These drives use the industry-standard Serial ATA interface that supports FIS data transfers. It supports ATA programmed input/output (PIO) modes 0–4; multiword DMA modes 0–2, and Ultra DMA modes 0–6. The drive also supports the use of the IORDY signal to provide reliable high-speed data transfers.

For detailed information about the Serial ATA interface, refer to the “Serial ATA: High Speed Serialized AT Attachment” specification.

### **4.1 Hot-Plug compatibility**

Barracuda 7200.7 Serial ATA drives incorporate connectors which enable you to hot plug these drives in accordance with the Serial ATA: High Speed Serialized AT Attachment specification revision 2.0. This specification can be downloaded from <http://www.serialata.com>.

## 4.2 Serial ATA device plug connector pin definitions

Table 6 summarizes the signals on the Serial ATA interface and power connectors..

**Table 6: Serial ATA connector pin definitions**

Segment	Pin	Function	Definition
<b>Signal</b>	S1	Ground	2nd mate
	S2	A+	Differential signal pair A from Phy
	S3	A-	
	S4	Ground	2nd mate
	S5	B-	Differential signal pair B from Phy
	S6	B+	
	S7	Ground	2nd mate
Key and spacing separate signal and power segments			
<b>Power</b>	P1	V <sub>33</sub>	3.3V power
	P2	V <sub>33</sub>	3.3V power
	P3	V <sub>33</sub>	3.3V power, pre-charge, 2nd mate
	P4	Ground	1st mate
	P5	Ground	2nd mate
	P6	Ground	2nd mate
	P7	V <sub>5</sub>	5V power, pre-charge, 2nd mate
	P8	V <sub>5</sub>	5V power
	P9	V <sub>5</sub>	5V power
	P10	Ground	2nd mate
	P11	Reserved	1. The pin corresponding to P11 in the back-plane receptacle connector is also reserved 2. The corresponding pin to be mated with P11 in the power cable receptacle connector shall always be grounded
	P12	Ground	1st mate.
	P13	V <sub>12</sub>	12V power, pre-charge, 2nd mate
	P14	V <sub>12</sub>	12V power
	P15	V <sub>12</sub>	12V power

**Notes:**



1. All pins are in a single row, with a 1.27 mm (0.050") pitch.
2. The comments on the mating sequence apply to the case of backplane blindmate connector only. In this case, the mating sequences are:
  - the ground pins P4 and P12.
  - the pre-charge power pints and the other ground pins.
  - the signal pins and the rest of the power pins.
3. There are three power pins for each voltage. One pin from each voltage is used for pre-charge when installed in a blind-mate backplane configuration.
4. All used voltage pins ( $V_x$ ) must be terminated.

### 4.3 Supported ATA commands

The following table lists Serial ATA standard commands that the drive supports. For a detailed description of the ATA commands, refer to the Serial ATA: High Speed Serialized AT Attachment specification. See “S.M.A.R.T. commands” on page 42 for details and subcommands used in the S.M.A.R.T. implementation.

**Table 7: Supported ATA commands**

Command name	Command code (in hex)
<b>ATA-standard commands</b>	
Device Configuration Restore	B1h/C0h
Device Configuration Freeze Lock	B1h/C1h
Device Configuration Identify	B1h/C2h
Device Configuration Set	B1h/C3h
Download Microcode	92h
Execute Device Diagnostics	90h
Flush Cache	E7h
Flush Cache Extended	EAh
Identify Device	ECh
Initialize Device Parameters	91h
Read Buffer	E4h
Read DMA	C8h
Read DMA Extended	25h
Read DMA without Retries	C9h
Read Long with Retries	22h
Read Long without Retries	23h
Read Multiple	C4h
Read Multiple Extended	29h
Read Native Max Address	F8h
Read Native Max Address Extended	27h
Read Sectors	20h
Read Sectors Extended	24h
Read Sectors without Retries	21h

**Table 7: Supported ATA commands**

<b>Command name</b>	<b>Command code (in hex)</b>
Read Verify Sectors	40h
Read Verify Sectors Extended	42h
Read Verify Sectors without Retries	41h
Seek	70h
Set Features	EFh
Set Max Address	F9h
Note: Individual Set Max commands are identified by the value placed in the Set Max Features register as defined to the right.	Address: 00 <sub>H</sub> Password: 01 <sub>H</sub> Lock: 02 <sub>H</sub> Unlock: 03 <sub>H</sub> Freeze Lock: 04 <sub>H</sub>
Set Multiple Mode	C6h
S.M.A.R.T. Disable Operations	B0h/D9h
S.M.A.R.T. Enable/Disable Autosave	B0h/D2h
S.M.A.R.T. Enable Operations	B0h/D8h
S.M.A.R.T. Enable/Disable Auto Offline	B0h/DBh
S.M.A.R.T. Enable One Attribute Modification	B0h/E0h
S.M.A.R.T. Execute Offline	B0h/D4h
S.M.A.R.T. Read Attribute Thresholds	B0h/D1h
S.M.A.R.T. Read Data	B0h/D0h
S.M.A.R.T. Read Log Sector	B0h/D5h
S.M.A.R.T. Return Status	B0h/DAh
S.M.A.R.T. Save Attribute Values	B0h/D3h
S.M.A.R.T. Write Attribute Thresholds	B0h/D7h
S.M.A.R.T. Write Attribute Values	B0h/E1h
S.M.A.R.T. Write Log Sector	B0h/D6h
Write Buffer	E8h
Write DMA	CAh
Write DMA Extended	35h
Write DMA without Retries	CBh
Write Long with Retries	32h

Table 7: Supported ATA commands

Command name	Command code (in hex)
Write Long without Retries	33h
Write Multiple	C5h
Write Sectors	30h, 31h
Write Sectors Extended	34h
<b>ATA-standard power-management commands</b>	
Check Power Mode	98h or E5h
Idle	97h or E3h
Idle Immediate	95h or E1h
Sleep	99h or E6h
Standby	96h or E2h
Standby Immediate	94h or E0h
<b>ATA-standard security commands</b>	
Security Set Password	F1h
Security Unlock	F2h
Security Erase Prepare	F3h
Security Erase Unit	F4h
Security Freeze Lock	F5h
Security Disable Password	F6h

### 4.3.1 Identify Device command

The Identify Device command (command code EC<sub>H</sub>) transfers information about the drive to the host following power up. The data is organized as a single 512-byte block of data, whose contents are shown in the table on page 27. All reserved bits or words should be set to zero. Parameters listed with an “x” are drive-specific or vary with the state of the drive. See Section 2.0 on page 5 for default parameter settings.

The following commands contain drive-specific features that may not be included in the Serial ATA specification.

Table 8: Drive-specific commands

Word	Description	Value
0	Configuration information: <ul style="list-style-type: none"> <li>• Bit 15: 0 = ATA; 1 = ATAPI</li> <li>• Bit 7: removable media</li> <li>• Bit 6: removable controller</li> <li>• Bit 0: reserved</li> </ul>	0C5A <sub>H</sub>
1	Number of logical cylinders	16,383
2	ATA-reserved	0000 <sub>H</sub>
3	Number of logical heads	16
4	Retired	0000 <sub>H</sub>
5	Retired	0000 <sub>H</sub>
6	Number of logical sectors per logical track: 63	003F <sub>H</sub>
7–9	Retired	0000 <sub>H</sub>
10–19	Serial number: (20 ASCII characters, 0000 <sub>H</sub> = none)	ASCII
20	Retired	0000 <sub>H</sub>
21	Retired	0400 <sub>H</sub>
22	Obsolete	0000 <sub>H</sub>
23–26	Firmware revision (8 ASCII character string, padded with blanks to end of string)	x.xx
27–46	Drive model number: (40 ASCII characters, padded with blanks to end of string)	ST3160023AS ST3160021AS ST3120026AS ST3120022AS ST380013AS ST380011AS ST340014AS
47	(Bits 7–0) Maximum sectors per interrupt on Read multiple and Write multiple (16)	8010 <sub>H</sub>
48	Reserved	0000 <sub>H</sub>
49	Standard Standby timer, IORDY supported and may be disabled	2F00 <sub>H</sub>
50	ATA-reserved	0000 <sub>H</sub>
51	PIO data-transfer cycle timing mode	0200 <sub>H</sub>

Table 8: Drive-specific commands

Word	Description	Value
52	Retired	0200 <sub>H</sub>
53	Words 54–58, 64–70 and 88 are valid	0007 <sub>H</sub>
54	Number of current logical cylinders	xxxx <sub>H</sub>
55	Number of current logical heads	xxxx <sub>H</sub>
56	Number of current logical sectors per logical track	xxxx <sub>H</sub>
57–58	Current capacity in sectors	xxxx <sub>H</sub>
59	Number of sectors transferred during a Read Multiple or Write Multiple command	xxxx <sub>H</sub>
60–61	Total number of user-addressable LBA sectors available (see Section 2.2 for related information)  *Note: The maximum value allowed in this field is: 0FFFFFFFh (268,435,455 sectors, 137 Gbytes). Drives with capacities over 137 Gbytes will have 0FFFFFFFh in this field and the actual number of user-addressable LBAs specified in words 100-103. This is required for drives that support the 48-bit addressing feature.	ST3160023AS = 0FFFFFFFh* ST3160021AS = 0FFFFFFFh* ST3120026AS = 234,441,648 ST3120022AS = 234,441,648 ST380013AS = 156,301,488 ST380011AS = 156,301,488 ST340014AS = 78,165,360
62	Retired	0000 <sub>H</sub>
63	Multiword DMA active and modes supported (see note following this table)	xx07 <sub>H</sub>
64	Advanced PIO modes supported (modes 3 and 4 supported)	0003 <sub>H</sub>
65	Minimum multiword DMA transfer cycle time per word (120 nsec)	0078 <sub>H</sub>
66	Recommended multiword DMA transfer cycle time per word (120 nsec)	0078 <sub>H</sub>
67	Minimum PIO cycle time without IORDY flow control (240 nsec)	00F0 <sub>H</sub>
68	Minimum PIO cycle time with IORDY flow control (120 nsec)	0078 <sub>H</sub>
69–74	ATA-reserved	0000 <sub>H</sub>

Table 8: Drive-specific commands

Word	Description	Value
75	Queue depth	0000 <sub>H</sub>
76–79	ATA-reserved	0000 <sub>H</sub>
80	Major version number	003E <sub>H</sub>
81	Minor version number	0000 <sub>H</sub>
82	Command sets supported	306B <sub>H</sub>
83	Command sets supported	4001 <sub>H</sub>
84	Command sets support extension	4000 <sub>H</sub>
85	Command sets enabled	30xx <sub>H</sub>
86	Command sets enabled	0001 <sub>H</sub>
87	Command sets enable extension	4000 <sub>H</sub>
88	Ultra DMA support and current mode (see note following this table)	xx3F <sub>H</sub>
89	Security erase time	0000 <sub>H</sub>
90	Enhanced security erase time	0000 <sub>H</sub>
92	Master password revision code	FFFE <sub>H</sub>
93	Hardware reset value (see description following this table)	xxxx <sub>H</sub>
94	Auto acoustic management setting	xxxx <sub>H</sub>
95–99	ATA-reserved	0000 <sub>H</sub>
100–103	Total number of user-addressable LBA sectors available (see Section 2.2 for related information)  These words are required for drives that support the 48-bit addressing feature. Maximum value: 0000FFFFFFFFFFFF <sub>H</sub> .	ST3160023AS = 312,581,808 ST380011AS = 312,581,808 ST3120026AS = 234,441,648 ST340014AS = 234,441,648 ST380013AS = 156,301,488 ST380013A = 156,301,488 ST3120022AS = 78,165,360
104–127	ATA-reserved	0000 <sub>H</sub>
128	Security status	0001 <sub>H</sub>
129–159	Seagate-reserved	xxxx <sub>H</sub>
160–254	ATA-reserved	0000 <sub>H</sub>



**Table 8: Drive-specific commands**

Word	Description	Value
255	Integrity word	xxA5 <sub>H</sub>

**Note.** Advanced Power Management (APM) and Automatic Acoustic Management (AAM) features are not supported

**Note.** See the bit descriptions below for words 63, 88, and 93 of the Identify Drive data:

**Description (if bit is set to 1)**

**Bit      Word 63**

- 0      Multiword DMA mode 0 is supported.
- 1      Multiword DMA mode 1 is supported.
- 2      Multiword DMA mode 2 is supported.
- 8      Multiword DMA mode 0 is currently active.
- 9      Multiword DMA mode 1 is currently active.
- 10     Multiword DMA mode 2 is currently active.

**Bit      Word 88**

- 0      Ultra DMA mode 0 is supported.
- 1      Ultra DMA mode 1 is supported.
- 2      Ultra DMA mode 2 is supported.
- 3      Ultra DMA mode 3 is supported.
- 4      Ultra DMA mode 4 is supported.
- 8      Ultra DMA mode 0 is currently active.
- 9      Ultra DMA mode 1 is currently active.
- 10     Ultra DMA mode 2 is currently active.
- 11     Ultra DMA mode 3 is currently active.
- 12     Ultra DMA mode 4 is currently active.
- 13     Ultra DMA mode 5 is currently active.

**Bit      Word 93**

- 13     1 = 80-conductor cable detected, CBLID above  $V_{IH}$   
0 = 40-conductor cable detected, CBLID below  $V_{IL}$

### 4.3.2 Set Features command

This command controls the implementation of various features that the drive supports. When the drive receives this command, it sets BSY, checks the contents of the Features register, clears BSY and generates an interrupt. If the value in the register does not represent a feature that the drive supports, the command is aborted. Power-on default has the read look-ahead and write caching features enabled. The acceptable values for the Features register are defined as follows:

**Table 9: Set Features command values**

02 <sub>H</sub>	Enable write cache ( <i>default</i> ).
03 <sub>H</sub>	Set transfer mode (based on value in Sector Count register).
	Sector Count register values:
00 <sub>H</sub>	Set PIO mode to default (PIO mode 2).
01 <sub>H</sub>	Set PIO mode to default and disable IORDY (PIO mode 2).
08 <sub>H</sub>	PIO mode 0
09 <sub>H</sub>	PIO mode 1
0A <sub>H</sub>	PIO mode 2
0B <sub>H</sub>	PIO mode 3
0C <sub>H</sub>	PIO mode 4 ( <i>default</i> )
20 <sub>H</sub>	Multiword DMA mode 0
21 <sub>H</sub>	Multiword DMA mode 1
22 <sub>H</sub>	Multiword DMA mode 2
40 <sub>H</sub>	Ultra DMA mode 0
41 <sub>H</sub>	Ultra DMA mode 1
42 <sub>H</sub>	Ultra DMA mode 2
43 <sub>H</sub>	Ultra DMA mode 3
44 <sub>H</sub>	Ultra DMA mode 4
45 <sub>H</sub>	Ultra DMA mode 5
55 <sub>H</sub>	Disable read look-ahead (read cache) feature.
82 <sub>H</sub>	Disable write cache
AA <sub>H</sub>	Enable read look-ahead (read cache) feature ( <i>default</i> ).
F1 <sub>H</sub>	Report full capacity available

**Note.** At power-on, or after a hardware or software reset, the default values of the features are as indicated above.

### 4.3.3 S.M.A.R.T. commands

S.M.A.R.T. provides near-term failure prediction for disc drives. When S.M.A.R.T. is enabled, the drive monitors predetermined drive attributes that are susceptible to degradation over time. If self-monitoring determines that a failure is likely, S.M.A.R.T. makes a status report available to the host. Not all failures are predictable. S.M.A.R.T. predictability is limited to the attributes the drive can monitor. For more information on S.M.A.R.T. commands and implementation, see the *Draft ATA-5 Standard*.

SeaTools diagnostic software activates a built-in drive self-test (DST S.M.A.R.T. command for D4<sub>H</sub>) that eliminates unnecessary drive returns. The diagnostic software ships with all new drives and is also available at: <http://seatools.seagate.com>.

This drive is shipped with S.M.A.R.T. features disabled. You must have a recent BIOS or software package that supports S.M.A.R.T. to enable this feature. The table below shows the S.M.A.R.T. command codes that the drive uses.

**Table 10: S.M.A.R.T. commands**

Code in features register	S.M.A.R.T. command
D0 <sub>H</sub>	S.M.A.R.T. Read Data
D1 <sub>H</sub>	Vendor-specific
D2 <sub>H</sub>	S.M.A.R.T. Enable/Disable Attribute Autosave
D3 <sub>H</sub>	S.M.A.R.T. Save Attribute Values
D4 <sub>H</sub>	S.M.A.R.T. Execute Off-line Immediate (runs DST)
D5 <sub>H</sub>	S.M.A.R.T. Read Log Sector
D6 <sub>H</sub>	S.M.A.R.T. Write Log Sector
D7 <sub>H</sub>	Vendor-specific
D8 <sub>H</sub>	S.M.A.R.T. Enable Operations
D9 <sub>H</sub>	S.M.A.R.T. Disable Operations
DA <sub>H</sub>	S.M.A.R.T. Return Status

**Note.** If an appropriate code is not written to the Features Register, the command is aborted and 0x04 (abort) is written to the Error register.

## 5.0 Seagate Technology support services

### Online Services

#### Internet

**www.seagate.com** for information about Seagate products and services.  
**rss.seagate.com** for information about Seagate backup tape drives and related services. Worldwide support is available 24 hours daily by e-mail for your disc or tape questions.

#### *Presales Support:*

Disc: [www.seagate.com/support/email/email\\_presales.html](http://www.seagate.com/support/email/email_presales.html) or  
DiscPresales@Seagate.com

Tape: [www.seagate.com/support/email/email\\_tape\\_presales.html](http://www.seagate.com/support/email/email_tape_presales.html) or  
Tape\_Sales\_Support@Seagate.com

#### *Technical Support:*

Disc: [www.seagate.com/support/email/email\\_disc\\_support.html](http://www.seagate.com/support/email/email_disc_support.html) or  
DiscSupport@Seagate.com

Tape: [www.seagate.com/support/email/email\\_tape\\_support.html](http://www.seagate.com/support/email/email_tape_support.html) or  
TapeSupport@Seagate.com

#### mySeagate

[my.seagate.com](http://my.seagate.com) is the industry's first Web portal designed specifically for OEMs and distributors. It provides self-service access to critical applications, personalized content and the tools that allow partners to manage their Seagate account functions. Submit pricing requests, orders and returns through a single, password-protected Web interface—anytime, anywhere in the world.

For support, questions and comments:

E-mail: [partner.support@seagate.com](mailto:partner.support@seagate.com)

Phone (direct): +1-405-324-4740

Phone (toll-free): 1-877-347-2444 (US and Canada), or access a complete list of region-specific international toll-free phone numbers at [my.seagate.com](http://my.seagate.com)

#### Reseller Marketplace

Reseller Marketplace is the storage industry's first collaborative, e-commerce marketplace offering resellers the fastest, most efficient online purchasing process for Seagate storage solutions. The Reseller Marketplace at [reseller.seagate.com](http://reseller.seagate.com), an exclusive service for US resellers participating in the Seagate Partner Program (SPP), is designed to streamline the purchasing process of Seagate solutions and provide unprecedented value to

Seagate resellers through real-time pricing and availability, fast and easy comparison shopping, and seamless integration with key distributors for a one-stop shopping experience.

For support, questions and comments:

Internet: [reseller.seagate.com/benefits/index.html](http://reseller.seagate.com/benefits/index.html)

Phone (direct): +1-405-324-4730

Phone (toll-free): 1-877-271-3285 (US and Canada)

### **Seagate Online Store**

US customers can purchase Seagate disc drives, tape drives, tape supplies and accessories 24 hours daily at [buytape.seagate.com](http://buytape.seagate.com).

### **Automated Phone Services**

**SeaFONE® (1-800-SEAGATE)** is the Seagate toll-free number (1-800-732-4283) to access our automated self-help and directory assistance for Seagate support services. Using a touch-tone phone, you can find service and support phone numbers, answers to commonly asked questions, troubleshooting tips and specifications for disc drives and tape drives 24 hours daily. International callers can reach this service by dialing +1-405-324-4770.

### **Presales, Technical Support and Customer Service**

#### **Presales Support**

Our Presales Support staff can help you determine which Seagate products are best suited for your specific application or computer system.

#### **Technical Support**

If you need help installing your drive, consult your system's documentation or contact the dealer's support services department for assistance specific to your system. Seagate technical support is also available to assist you online at [support.seagate.com](http://support.seagate.com) or through one of our technical support service centers. Have your system configuration information and your drive's "ST" model number available.

**SeaTDD™ (+1-405-324-4725)** is a telecommunications device for the deaf (TDD). You can send questions or comments 24 hours daily and exchange messages with a technical support specialist from 8:00 A.M. to 11:45 A.M. and 1:00 P.M. to 6:00 P.M. (Central time) Monday through Friday.

#### **Warranty Service**

Seagate offers worldwide customer support for Seagate drives. Seagate distributors, OEMs and other direct customers should contact their Seagate ser-

vice center representative for warranty-related issues. Resellers or end users of drive products should contact their place of purchase or one of the Seagate warranty service centers for assistance. Have your drive's "ST" model number and serial number available.

## Authorized Service Centers

In some countries outside the US, you can contact an Authorized Service Center for service.

## USA/Canada/Latin America Support Services

### Presales Support

Call Center	Toll-free	Direct dial	FAX
<i>Disc:</i>	1-877-271-3285	+1-405-324-4730	+1-405-324-4702
<i>Tape:</i>	1-800-626-6637	+1-714-641-2500	+1-714-641-2410

### Technical Support

Call Center	Toll-free	Direct dial	FAX
<i>Disc:</i>	1-800-SEAGATE†	+1-405-324-4770	+1-405-324-4702
<i>Tape:</i>	1-800-SEAGATE†	+1-405-324-4770	+1-405-324-4703

### Warranty Service

Call Center	Toll-free	Direct dial	FAX / Internet
USA, Mexico and Latin America	1-800-468-3472	+1-405-324-4720	+1-405-324-4772
Canada			
<i>Memofix*</i>	1-800-636-6349	+1-905-660-4936	+1-905-660-4951 www.memofix.com
<i>Adtech*</i>	1-800-624-9857	+1-905-890-3099	+1-905-890-3977 www.adtech1.com
Brazil			
<i>MA Centro de Serviços*</i>	—	+55-21-2509-7267	+55-21-2507-6672 e-mail: centro.de.servicos.brasil@seagate.com

\*Authorized Service Centers

†For product-specific phone number

## European Support Services

For European presales, technical support, and warranty service, dial the toll-free number for your specific country. If your country is not listed here, dial our European call center at +31-20-316-7222 from 8:30 A.M. to 5:00 P.M. (Central Europe time) Monday through Friday. The European call center is located in Amsterdam, The Netherlands.

### Call Center

Austria	0 800-20 12 90
Belgium	0 800-74 876
Denmark	80 88 12 66
France	0 800-90 90 52
Germany	0 800-182 6831
Ireland	1 800-55 21 22
Italy	800-790695
Netherlands	0 800-732 4283
Norway	800-113 91
Poland	00 800-311 12 38
Spain	900-98 31 24
Sweden	0 207 90 073
Switzerland	0 800-83 84 11
Turkey	00 800-31 92 91 40
United Kingdom	0 800-783 5177

### FAX Services—All European Countries

Presales/Technical Support/Warranty Service 31-20-653-3513

## Africa/Middle East Support Services

For presales, technical support, warranty service and FAX services in Africa and the Middle East, dial our European call center at +31-20-316-7222 from 8:30 A.M. to 5:00 P.M. (European central time) Monday through Friday, or send a FAX to +31-20-653-3513. The European call center is located in Amsterdam, The Netherlands.



## Asia/Pacific Support Services

For Asia/Pacific presales and technical support, dial the toll-free number for your specific country. The Asia/Pacific toll-free numbers are available from 6:00 A.M. to 10:45 A.M. and 12:00 P.M. to 6:00 P.M. (Australian Eastern time) Monday through Friday, except as noted. If your country is not listed here, direct dial one of our technical support locations.

Call Center	Toll-free	Direct dial	FAX
Australia	1800-14-7201	—	—
China (Chinese) <sup>1,3</sup>	800-810-9668	+86-10-6225-5336	—
Hong Kong	800-90-0474	—	—
Hong Kong (Chinese) <sup>1,3</sup>	001-800-0830-1730	—	—
India <sup>2,3</sup>	1-600-33-1104	—	—
Indonesia	001-803-1-003-2165	—	—
Japan	—	—	+81-3-5462-2978
Malaysia	1-800-80-2335	—	—
New Zealand	0800-443988	—	—
Singapore	800-1101-150	—	+65-6488-7525
Taiwan (Chinese) <sup>1,3</sup>	00-800-0830-1730	—	—
Thailand	001-800-11-0032165	—	—

## Warranty Service

Call Center	Toll-free	Direct dial	FAX
Asia/Pacific	—	+65-6485-3595	+65-6485-4860
Australia	1800-12-9277	—	—
India <sup>3</sup>	—	+91-44-821-6164	+91-44-827-2461

<sup>1</sup>Hours of operation are 8:30 A.M. to 5:30 P.M., Monday through Friday (Australian Western time).

<sup>2</sup>Hours of operation are 9:00 A.M. to 6:00 P.M., Monday through Saturday.

<sup>3</sup>Authorized Service Center



# Index

## A

ACA 23  
acceleration 19  
acoustics 8, 20  
Active 16  
Active mode 16  
actuator arm 12  
Address 33  
Agency certification 22  
Altitude 18  
Altitude, nonoperating 7  
Altitude, operating 7  
Ambient temperature 7, 17  
ambient temperature 11, 12  
Areal density 5, 10  
areal density 1  
ATA commands 32  
ATA data-transfer modes supported  
6  
Australia/New Zealand Standard  
AS/NZS3548 1995 23  
Australian Communication Authority  
(ACA) 23  
Australian C-Tick 23  
Average latency 11  
Average seek time 6, 11  
Average seek, read 6  
Average seek, write 7

## B

bels 8  
BPI 5  
buffer 6, 10  
Bytes per sector 5, 9

## C

cables and connectors 26  
Cache 6, 10  
capacity 9

case temperature 17  
CE mark 22  
certification 22  
Check Power Mode 34  
Class B computing device 24  
compatibility 22  
Conducted noise 15  
Conducted RF immunity 21  
Configuring the drive 25  
connectors 26  
CSA C22.2 (950) 22  
current 6  
cycles 21  
Cylinders 9  
cylinders 5

## D

data-transfer rates 1  
DC power 11  
Default logical geometry 9  
Default sectors per track 5  
density 5  
Device Configuration Freeze Lock  
32  
Device Configuration Restore 32  
Device Configuration Set 32  
Diagnostics 32  
dimensions 28  
disc surface 12  
Discs 5  
displacement 19  
Download Microcode 32

## E

ead/write heads 5  
Electrical fast transient 21  
Electromagnetic compatibility 22  
Electromagnetic Compatibility  
(EMC) 23  
Electromagnetic Compatibility con-  
trol Regulation 23  
Electromagnetic Compatibility Direc-

tive (89/336/EEC) 22  
 Electromagnetic immunity 21  
 Electrostatic discharge 21  
 electrostatic discharge (ESD) 25  
 EN 55022, Class B 22  
 EN 55024 22  
 EN 60950 22  
 Environmental specifications 17  
 EPRML 1, 10  
 error-correction algorithms 1  
 errors 8, 21  
 ESD 25  
 EU 22  
 European Union (EU) requirements  
     22  
 evice Configuration Identify 32  
 Execute Device Diagnostics 32

## F

FCC verification 23  
 features 1  
 Federal Communications Commis-  
     sion 23  
 Flush Cache 32  
 Flush Cache Extended 32  
 Formatted capacity 9  
 Formatted Gbytes 5  
 Freeze Lock 32

## G

Gbytes 9  
 geometry 9  
 gradient 7  
 Gs 19  
 Guaranteed sectors 5, 9  
 guaranteed sectors 9

## H

Handling precautions 25  
 heads 5, 9  
 Height 6

Humidity 18  
 humidity 7

## I

I/O data-transfer rate 6, 10  
 Identify 32  
 Identify Device 32  
 Identify Device command 35  
 Idle 13, 16, 34  
 Idle Immediate 34  
 Idle mode 7, 12, 16  
 IEC950 22  
 Information Technology Equipment  
     (ITE) 22  
 Initialize Device Parameters 32  
 Input noise ripple 15  
 input voltage 12  
 Interface 10  
 interface 29  
 Interleave 10  
 Internal data transfer rate 6  
 Internal data-transfer rate 10  
 is 11  
 ISO document 7779 20  
 ITE 22

## K

Korea Ministry of Information and  
     Communication (MIC) 23  
 Korean RRL 23

## L

latency 6, 11  
 latency time 12  
 LBA mode 9  
 Length 6  
 logical geometry 9

## M

magnetoresistive (GMR) recording  
     heads 1

maintenance 21  
master/slave 2  
Max Address 33  
maximum temperature 17  
Mean time between failures 8  
Mean time between failures (MTBF)  
21  
measurement locations 17  
MIC 23  
Microcode 32  
mounting 27  
mounting screws 18  
mounting the drive 25  
MTBF 21

## N

noise 15  
nominal power 11  
Nonoperating shock 18  
Nonoperating vibration 19  
Nonrecoverable read errors 8, 21

## O

Operating 13  
Operating power 7, 12  
Operating shock 18  
Operating vibration 19

## P

Physical characteristics 10  
Physical organization 10  
Physical read/write heads 5  
point-to-point 2, 26  
Power consumption 12  
power consumption 12  
Power dissipation 13  
Power modes 16  
Power specifications 11  
Power-management modes 16  
Power-on to Ready 11  
Power-on to ready 6

precautions 25  
printed circuit board 25  
programmable power management  
16

## Q

quick reference 5

## R

Radiated RF immunity 21  
Radio and television interference  
24  
radio frequency (RF) 21  
random seeks 12  
Read Buffer 32  
Read DMA 32  
Read DMA Extended 32  
Read DMA without Retries 32  
read errors 8, 21  
Read Long with Retries 32  
Read Long without Retries 32  
Read Multiple 32  
Read Multiple Extended 32  
Read Native Max Address 32  
Read Native Max Address Extended  
32  
Read Sectors 32  
Read Sectors Extended 32  
Read Sectors without Retries 32  
Read Verify Sectors 33  
Read Verify Sectors Extended 33  
Read Verify Sectors without Retries  
33  
read/write actuator arm 12  
Read/write heads 9  
Read/write power 12  
Ready to spindle stop 11  
Recording density 5, 10  
Recording method 10  
Recording technology 10  
Relative humidity 7, 18  
Reliability 21

Retries 32  
RF 21  
RMS read/write current 16  
RPM 5  
RRL 23

## S

S.M.A.R.T. 33  
S.M.A.R.T. implementation 32  
Safety certification 22  
SATA 10, 29  
screws 18  
SeaShell™ 25  
sector 9  
sectors 9  
Sectors per track 9  
sectors per track 5  
Security Disable Password 34  
Security Erase Prepare 34  
Security Erase Unit 34  
Security Freeze Lock 34  
Security Set Password 34  
Security Unlock 34  
Seek 33  
seek mode 12  
Seek mode power 12  
Seek power 7  
Seek time 11  
seek time 6  
Seeking 13  
Serial ATA 10  
Serial ATA (SATA) interface 29  
serial ATA ports 2  
Servo electronics 12  
servo electronics 12  
Set Features 33  
Set Max Address 33  
Set Multiple Mode 33  
Shock 18  
Shock, nonoperating 7  
Shock, operating 7  
single-track seeks 11

Sleep 13, 16, 34  
Sleep mode 7, 17  
Sound power 8  
Specification summary table 5  
Spindle speed 5, 10  
spindle stop 11  
Spinup 13  
Spinup power 12  
Standby 13, 16, 34  
Standby Immediate 34  
Standby mode 7, 12, 16  
standby timer 16  
Standby to Ready 11  
Standby to ready 6  
Start/stop times 11  
start-stop cycles 8, 21  
Startup current 6  
static-discharge 25  
support services 43  
Surge immunity 21

## T

technical support services 43  
temperature 7, 11, 17  
Temperature gradient 7, 18  
timer 16  
timers 17  
TPI 5  
Track density 5, 10  
Track-to-track 11  
Track-to-track seek time 6, 11  
TUV North America 22

## U

UL 1950 22

## V

Vibration 19  
Vibration, nonoperating 8  
Vibration, operating 7  
voltage 12

Voltage dips, interrupts 21

Voltage tolerance 7, 16

## **W**

Weight 6

Wet bulb temperature 7, 18

Width 6

Write Buffer 33

Write DMA 33

Write DMA Extended 33

Write Long with Retries 33

Write Long without Retries 34

Write Multiple 34

Write Sectors 34







**Seagate Technology LLC**  
**920 Disc Drive, Scotts Valley, California 95066-4544, USA**  
*Publication Number: 100270024, Rev. C, Printed in USA*